

Sketch

CLOCH TABLE



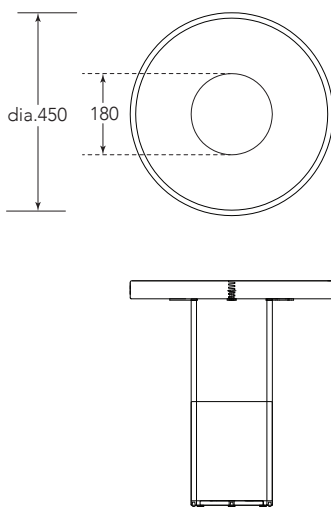
Cloch low : walnut + black concrete



Cloch tall : light oak + terrazzo feta

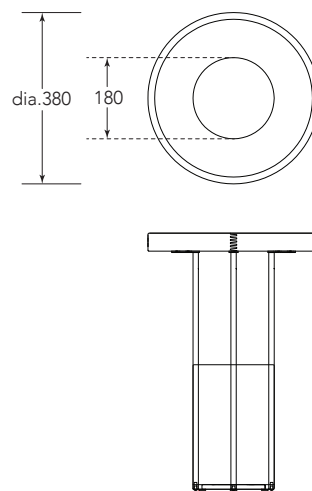
070-2201 : Cloch low end table

W450 D450 H490



070-2202 : Cloch tall end table

W380 D380 H560



CLOCH TABLE

Taking its name from the Gaelic word for stone, the Cloch table is characterized by a light wood tray-shaped top supported by three slim steel rods, anchored by a thick pillar of concrete or terrazzo. The mingling of three diverse materials creates visual interest and the versatility to fit in a variety of environments.

MATERIAL : solid oak, MDF+oak veneer, powder-coated steel
base : black concrete or terrazzo feta

DESIGN : Morten Georgsen



Cloch tall : light oak + terrazzo feta

Cloch low : light oak + terrazzo feta