

Sketch

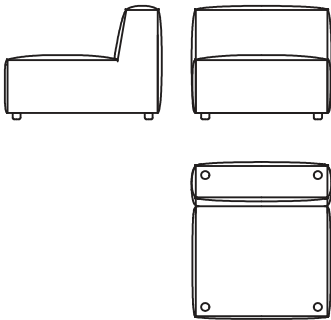
BAKER MODULAR SOFA



baker 10+54+55 : sylvia haze

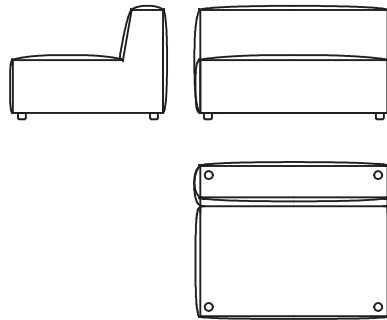
3009-10 : Baker chair no-arm

W900 D1010 H730



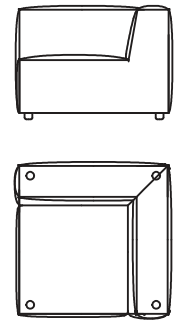
3009-20 : Baker 2 seater no-arm

W1280 D1010 H730



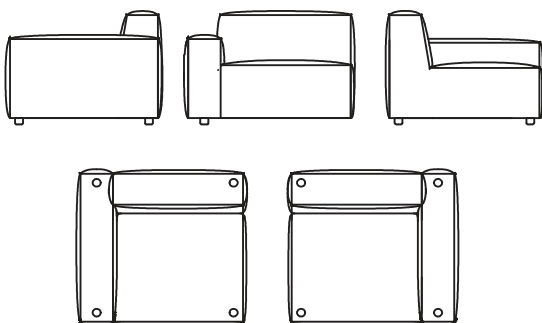
3009-49 : Baker corner

W1010 D1010 H730



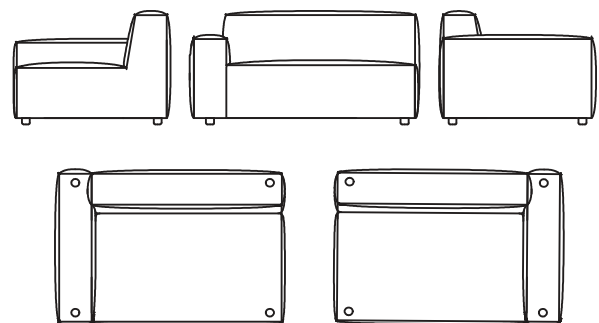
3009-41/42 : Baker 1-arm LHF/RHF

W1100 D1010 H730



3009-43/44 : Baker 1-arm wide LHF/RHF

W1480 D1010 H730



BAKER MODULAR SOFA

A clean, minimal, contemporary form makes Baker sofa easy to match with any aesthetic. Generous use of feather filling and perfectly-tuned spring support add comfort and longevity.

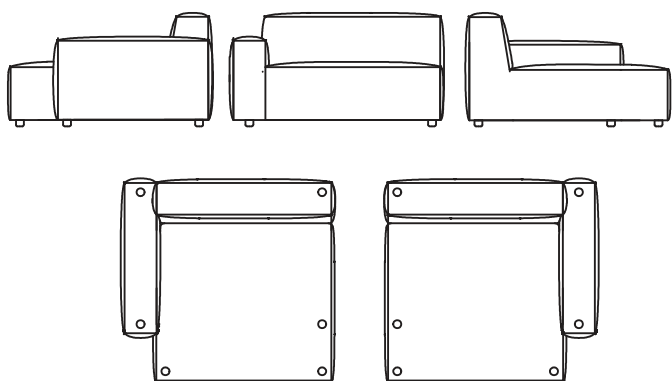
10 modules of various shapes and sizes can be combined together to make unlimited configurations.

MATERIAL : Solid pine frame, steel Nozag springs, high density foam, feather & ball-fiber filling

DESIGN : Wooden Stories

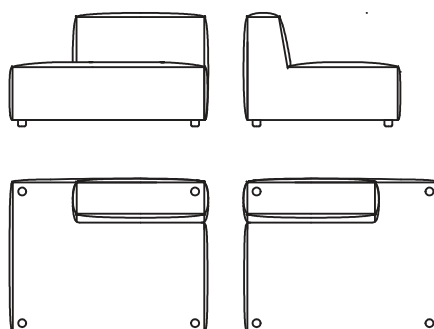
3009-53/54 : Baker mega arm LHF/RHF

W1380 D1320 H730



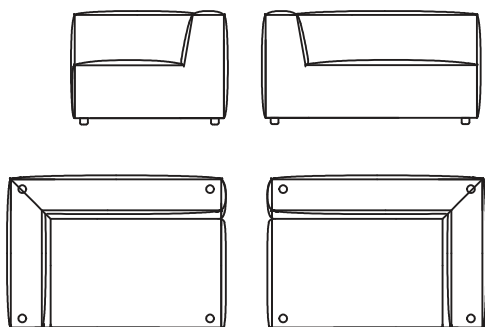
3009-55/56 : Baker open end LHF/RHF

W1280 D1010 H730



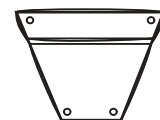
3009-57/58 : Baker corner extended LHF/RHF

W1480 D1010 H730



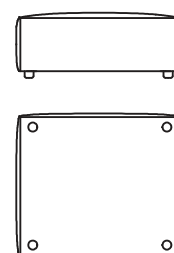
3009-59 : Baker wedge

W520/1280 D930 H730



3009-61 : Baker stool

W900 D1010 H400





baker 41+56 : lisa graphite



baker 42+10+55 : sylvia haze



baker 42+20+49+10+55 : sylvia haze



baker 10+42+53 : westlake oatmeal



baker 41+10+49+10+56 : westlake harbour grey



baker 41+20+49+56 : westlake harbour grey